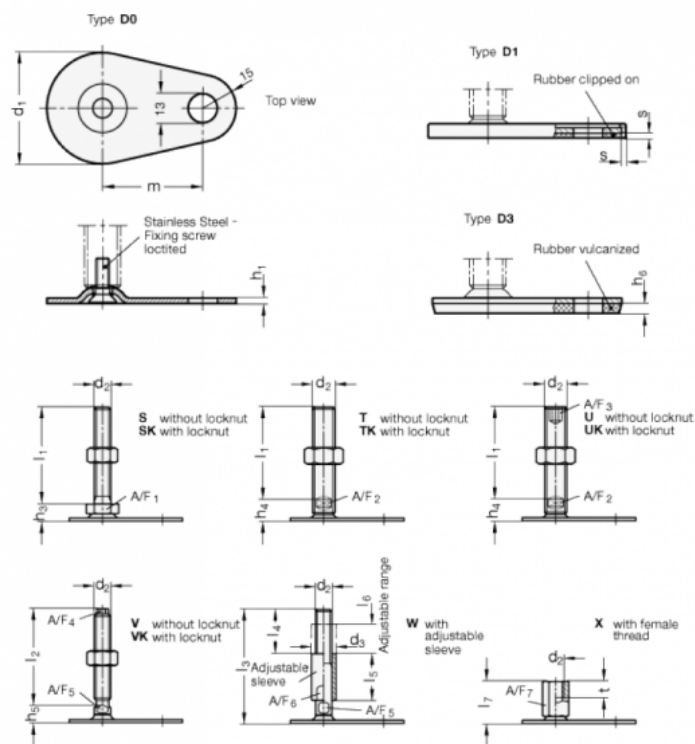


Article number: 204380M16150D1T
 Description: E+G levelling foot
 GN 43-80-M16-150-D1-T
 Note: T Without nut, Wrench flat at the bottom

Measures



A/F2 = 12	s = 2
d1 = 80	
d2 = M16	
h1 = 3	
h4 = 18	
h6 =	
l1 = 150	
m = 70	